

ILLUSTRATED PARTS BREAKDOWN

5 HP 17" CRT

REAR TINE TILLER

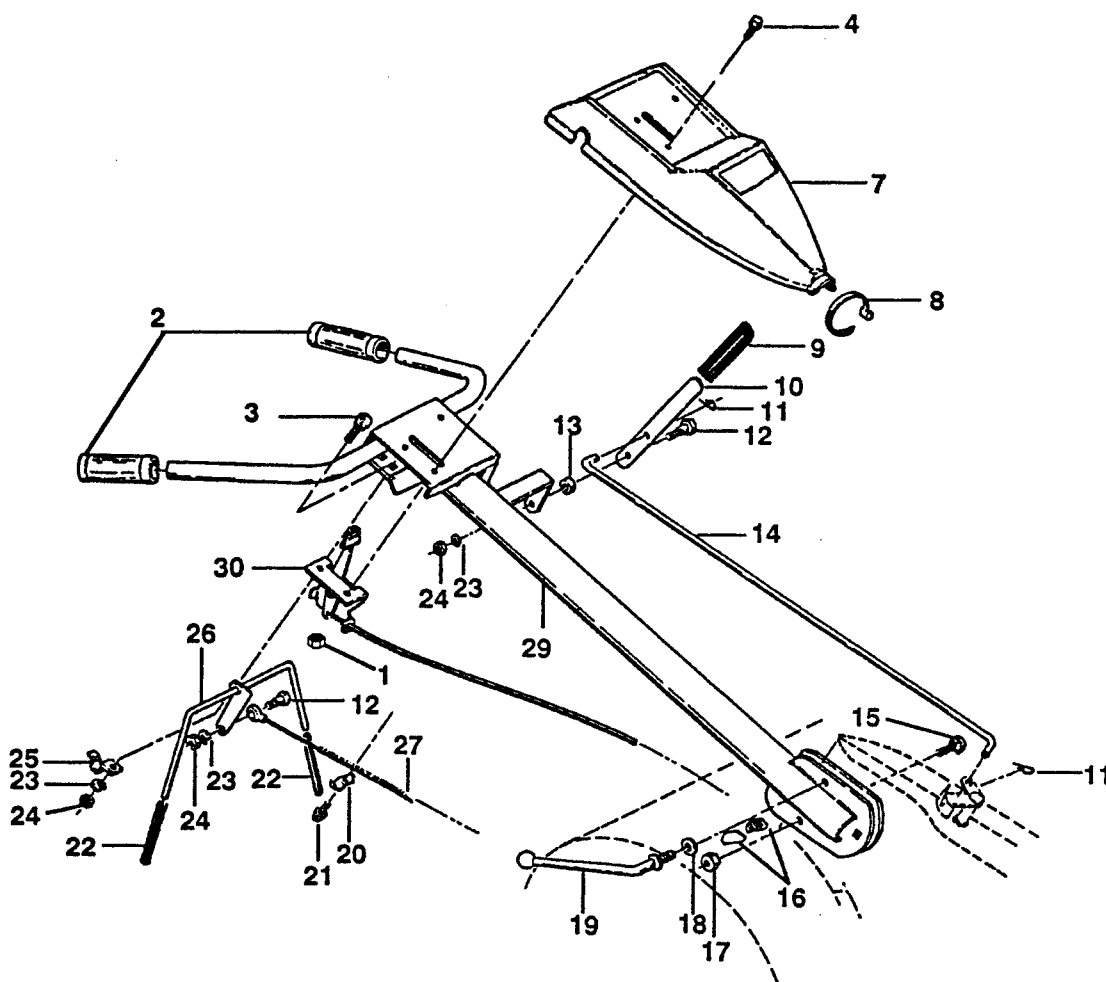
MODEL NO. CRT50 (HRT5B)

954 00 02-71

REPAIR PARTS

5 HP 17" CRT TILLER -- MODEL NUMBER CRT50

HANDLE ASSEMBLY



KEY NO.	PART NO.	DESCRIPTION
1	873731000	Nut, Keps #10-24 UNC
2	532009266	Grip, Handle
3	872140404	Bolt, Carriage 1/4-20
4	871091008	Screw, Truss Hd. #10-24 UNC x 1/2
7	532126956	Panel, Control
8	532104164	Tie, Cable
9	532124797	Grip, Handle
10	532109335	Handle, Shift
11	532124788	Clip, Hairpin
12	532081328	Bolt, Shoulder
13	532109313	Grommet, Rubber
14	532109337	Rod, Shift
15	872110608	Bolt, Carriage 3/8-16 x 1 Gr. 5
16	532109229	Lock, Handle
17	532005394	Nut 3/8-16
18	819131611	Washer 13/32 x 1 x 11 Ga.

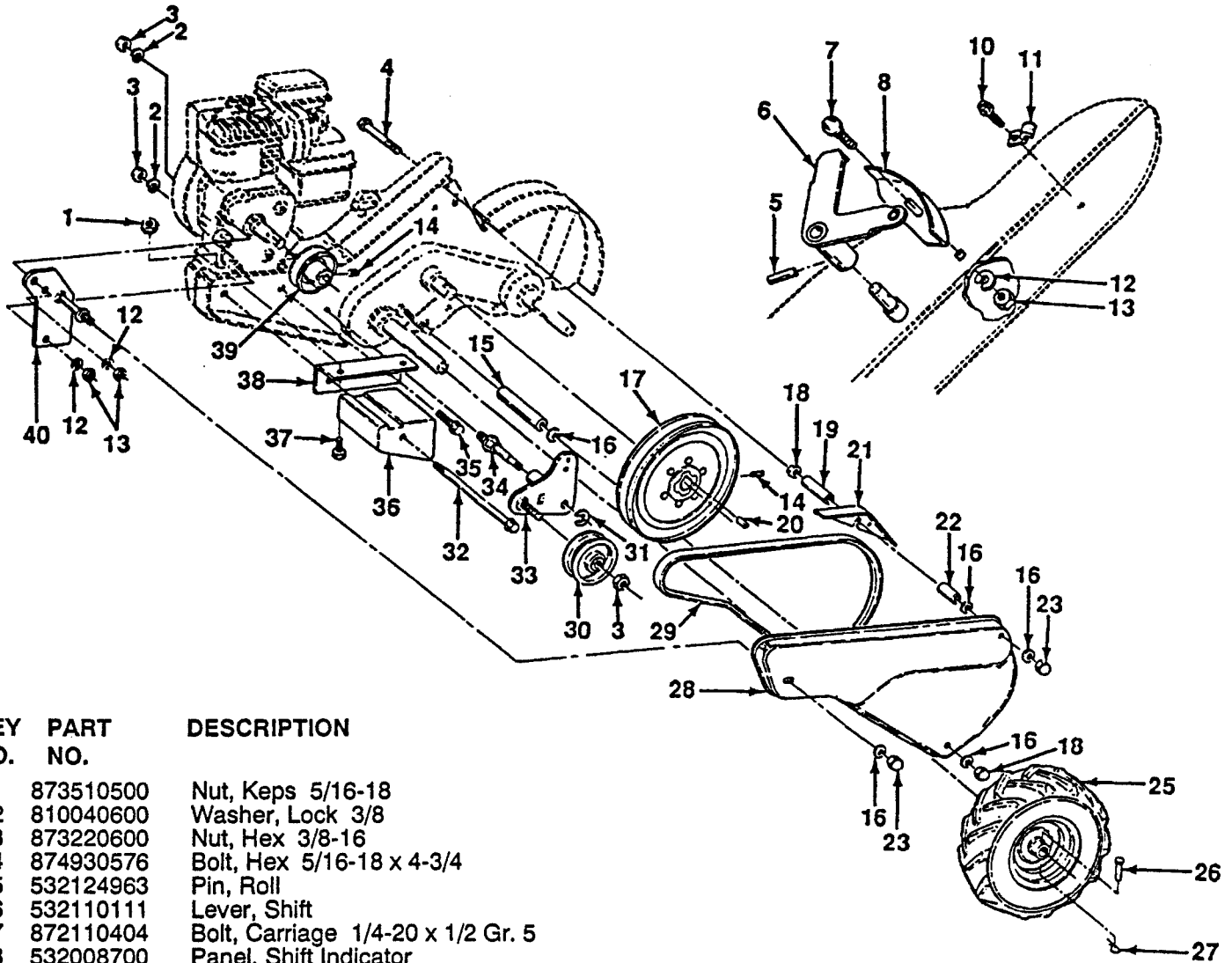
KEY NO.	PART NO.	DESCRIPTION
19	532109228	Lever, Lock, Handle
20	532009484	Clip
21	532086777	Screw, Hex Washer Hd. Slotted #10-24 x 1/2
22	532102604	Grip, Bar, Control
23	810040400	Washer, Lock 1/4
24	873220400	Nut, Hex 1/4-20
25	532102744	Clamp, Bar, Control
26	532105216	Bar Assembly, Control
27	532102162	Cable, Clutch
29	532125011	Handle
30	532127012	Control, Throttle
--	532127605	Manual, Owner's (English)
--	532127606	Manual, Owner's (French)
--	532127607	Manual, Parts (English)
--	532127608	Manual, Parts (French)
--	532126951	Decal, Instruction
--	532124624	Decal, Control Panel
--	532110614	Decal, Hand Placement

NOTE: All component dimensions given in U.S. inches.
1 inch = 25.4 mm

REPAIR PARTS

5 HP 17" CRT TILLER -- MODEL NUMBER CRT50

MAINFRAME, LEFT SIDE



KEY NO.	PART NO.	DESCRIPTION
1	873510500	Nut, Keps 5/16-18
2	810040600	Washer, Lock 3/8
3	873220600	Nut, Hex 3/8-16
4	874930576	Bolt, Hex 5/16-18 x 4-3/4
5	532124963	Pin, Roll
6	532110111	Lever, Shift
7	872110404	Bolt, Carriage 1/4-20 x 1/2 Gr. 5
8	532008700	Panel, Shift Indicator
10	532086777	Screw, Hex, Washer Head, Slotted #10-24 x 1/2
11	532009484	Clip
12	810040400	Washer, Lock 1/4
13	873220400	Nut, Hex 1/4-20
14	823230506	Screw, Set Hex 5/16-18 x 3/8
15	532120938	Spacer, Split 0.327 x 0.42 x 2.68
16	819111116	Washer 11/32 x 11/16 x 16 Ga.
17	532100473	Sheave, Transmission
18	873220500	Nut, Hex 5/16-18
19	532110651	Spacer, Split 0.327 x 0.42 x 1.75
20	532002649	Key, Square 3/16 x 1-1/8
21	532110653	Guard, Pinch Point
22	532110652	Spacer, Split 0.327 x 0.42 x 2.09
23	532104214	Nut, Cap 5/16-18
25	532102190	Tire
	532124258	Rim
	532124718	Tire Valve
26	532126875	Rivet, Drilled
7	532124788	Clip, Hairpin

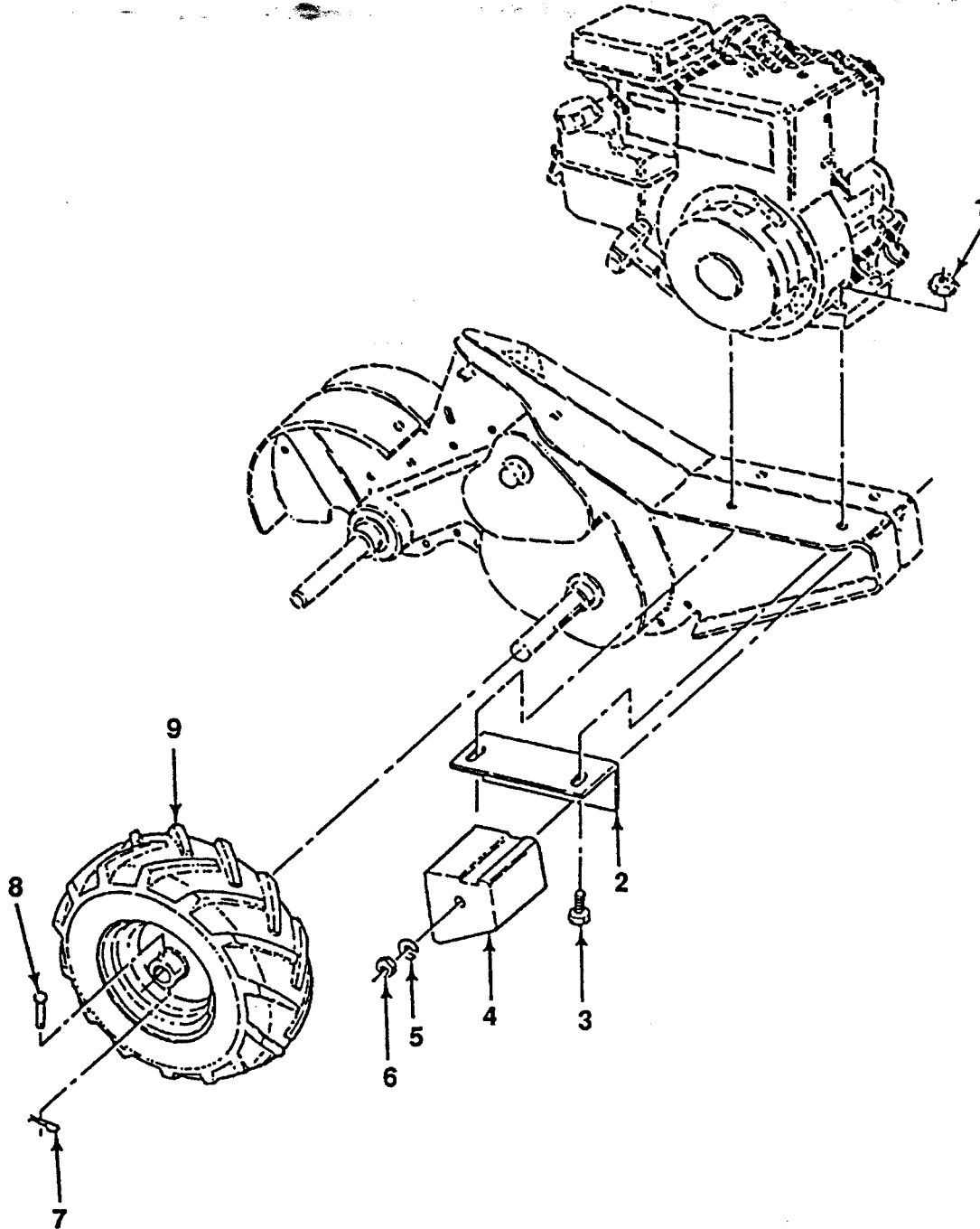
KEY NO.	PART NO.	DESCRIPTION
28	532125091	Guard, Belt
29	532102143	Belt, V
30	532104679	Pulley, Idler
31	812000032	Ring, Klip
32	532102384	Bolt, Hex 5/16-16 x 12
33	532105611	Bracket, Idler
34	532102141	Shaft, Idler Arm
35	874760616	Bolt, Hex 3/8-16 x 1
36	532102383	Counterweight, L. H.
37	874760524	Bolt, Hex 5/16-18 x 1-1/2
38	532102331	Bracket, Reinforcement, L. H.
39	532102142	Sheave, Engine
40	532102376	Bracket, Guard Belt
--	532104323	Decal, Shift Indicator
--	532124265	Decal, Belt Guard

NOTE: All component dimensions given in U.S. inches.
1 inch = 25.4 mm

REPAIR PARTS

5 HP 17" CRT TILLER - - MODEL NUMBER CRT50

MAINFRAME, RIGHT SIDE



KEY NO.	PART NO.	DESCRIPTION
1	873510500	Nut, Keps 5/16-18
2	532102332	Bracket, Reinforcement
3	874760524	Bolt, Hex 5/16-18 x 1-1/2
4	532102173	Counter Weight, R.H.
5	810040600	Washer, Lock 3/8
6	873220600	Nut, Hex 3/8-16
	532124788	Clip, Hairpin

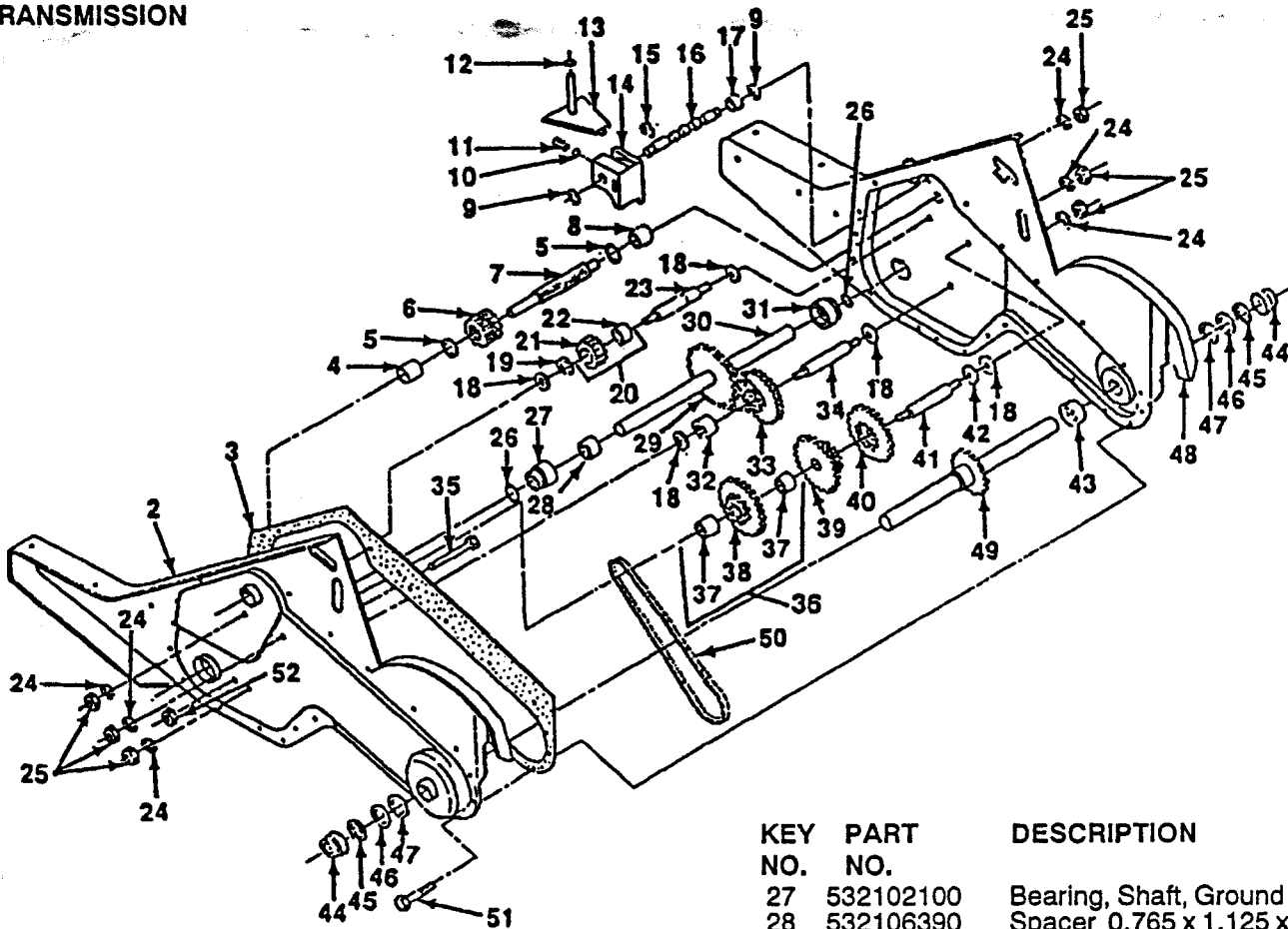
KEY NO.	PART NO.	DESCRIPTION
8	532126875	Rivet, Drilled
9	532102190	Tire
	532124258	Rim
	532124718	Tire Valve
--	532121543	Decal, Engine
--	532110612	Decal, Caution (Engine)
--		Decal, OPEI

NOTE: All component dimensions given in U.S. inches.
1 inch = 25.4 mm

REPAIR PARTS

5 HP 17" CRT TILLER -- MODEL NUMBER CRT50

TRANSMISSION



KEY NO.	PART NO.	DESCRIPTION
--	532121146	Transmission Assembly (Includes Key Nos. 2-52)
2	532121147	Gearcase, L.H. w/Bearing (Includes Key No. 4)
3	532106211	Gasket, Gearcase
4	532005020	Bearing, Needle
5	532001370	Washer, Thrust 5/8 x 1.10 x 1/32
6	532102113	Pinion, Input
7	532102110	Shaft, Input
8	532124792	Bearing, Needle
9	532102136	Washer, Seal
10	532124697	Ball, Steel
11	532100371	Spring, Shift, Fork
12	532106160	O-Ring
13	532102107	Arm, Shift
14	532008353	Fork, Shift
15	120000039	Ring, Klip <i>should be 812000039</i>
16	532102109	Shaft, Shift
17	532104159	Spacer, Split
18	532004358	Washer
19	812000040	Ring, Klip
20	532102114	Gear, Assembly, Reverse Idler (Includes Key Nos. 21 and 22)
1	532102115	Gear, Reverse Idler
22	532006803	Bearing, Needle
23	532102111	Shaft, Reverse Idler
24	810040700	Washer, Lock 7/16
25	873610700	Nut, Hex 7/16-20
26	532102128	O-Ring

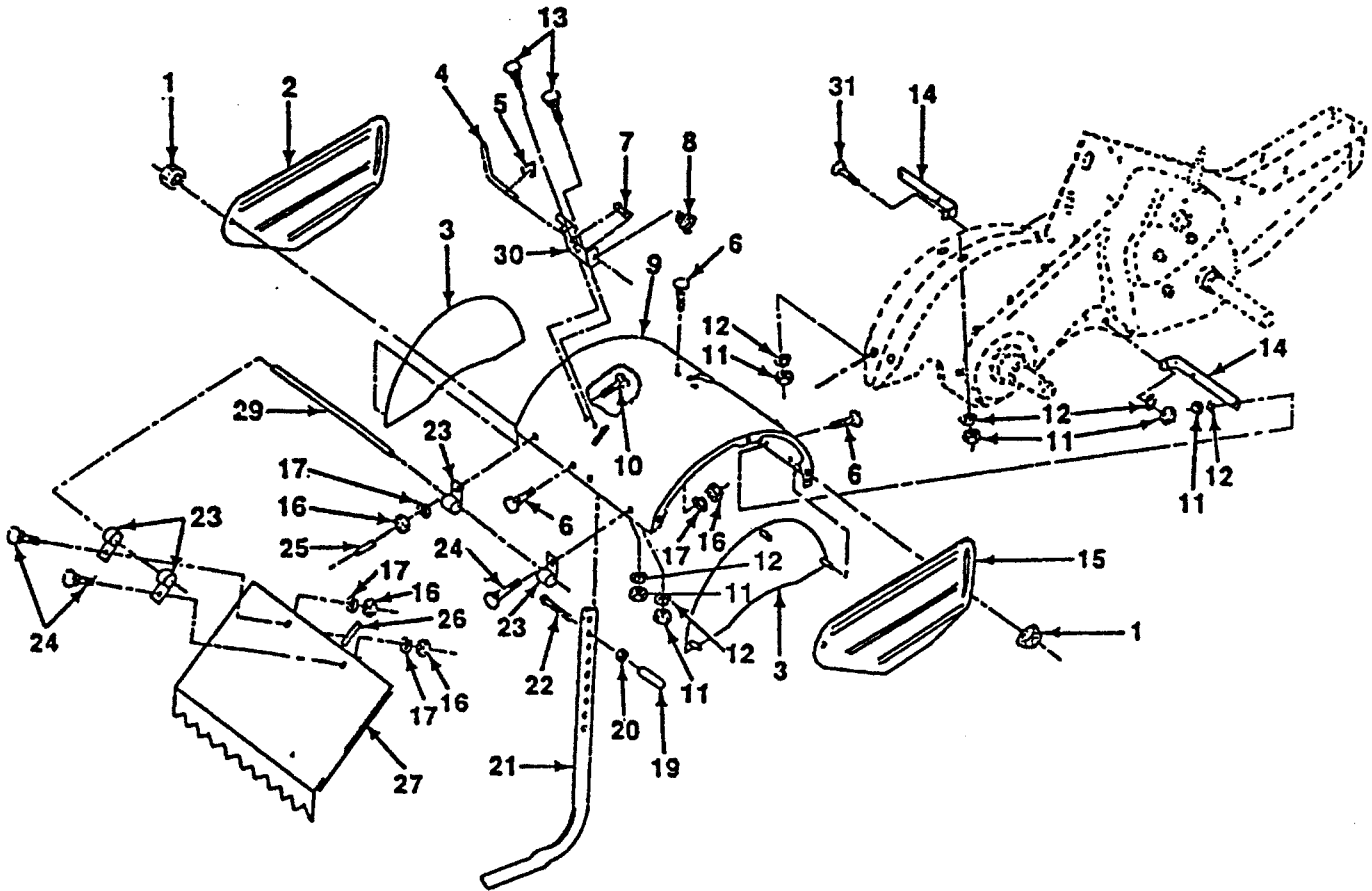
KEY NO.	PART NO.	DESCRIPTION
27	532102100	Bearing, Shaft, Ground Drive
28	532106390	Spacer 0.765 x 1.125 x 1.23
29	532102134	Chain #35-50 Pitch
30	532109204	Ground Shaft Assembly
31	532102106	Bearing, Shaft, Ground Drive
32	532106388	Spacer 0.70 x 1.00 x 1.150
33	532102121	Sprocket and Gear Assembly
34	532102112	Shaft, Reduction (2nd)
35	532102101	Screw, Whiz, Lock 5/16-18 x 3-1/2
36	532106141	Sprocket Assembly w/Bearing (Includes Key Nos. 37 and 38)
37	532124791	Bearing, Needle
38	532106142	Sprocket, Tine
39	532105345	Gear, Cluster, Red 1st & 2nd
40	532105346	Gear, Reverse
41	532008358	Shaft, Reduction (1st)
42	532004220	Washer, Thrust
43	532106146	Spacer 1.01 x 1.75 x 0.760
44	532009672	Cup, Formed
45	532102144	Ring, Spiral
46	532009676	Seal, Ring, Rubber
47	532009674	Seal, Oil
48	532121745	Gearcase, R.H. w/Bearing (Includes Key No. 8)
49	532106144	Shaft, Tine
50	532106147	Chain, Roller #50-50 Pitch
51	817580408	Screw 1/4-20 x 1/2
52	873220500	Nut, Hex 5/16-18
--	532006066	Grease, Plastilube #1

NOTE: All component dimensions given in U.S. inches.
1 inch = 25.4 mm

REPAIR PARTS

5 HP 17" CRT TILLER -- MODEL NUMBER CRT50

TINE SHIELD



KEY NO.	PART NO.	DESCRIPTION
1	898000129	Nut, Flange 5/16-18
2	532125012	Shield, Side outer L. H.
3	532125013	Shield, Side
4	532008393	Pin, Stake Depth
5	812000036	Ring, Klip
6	872140506	Bolt, Carriage 5/16-18 x 3/4 Gr 5
7	532008394	Spring
8	532109230	Spring, Depth Stake
9	532125014	Shield, Tine
10	872040410	Bolt, Carriage 1/4-20 x 1-1/4 Gr. 5
11	873220500	Nut, Hex 5/16-18
12	810040500	Washer, Lock 5/16
13	872110508	Bolt, Carriage 5/16-18 x 1
14	532124343	Bracket, Shield Tine
15	532125015	Shield, Side Outer R.H.
16	873220400	Nut, Hex 1/4-20
17	810040400	Washer, Lock 1/4

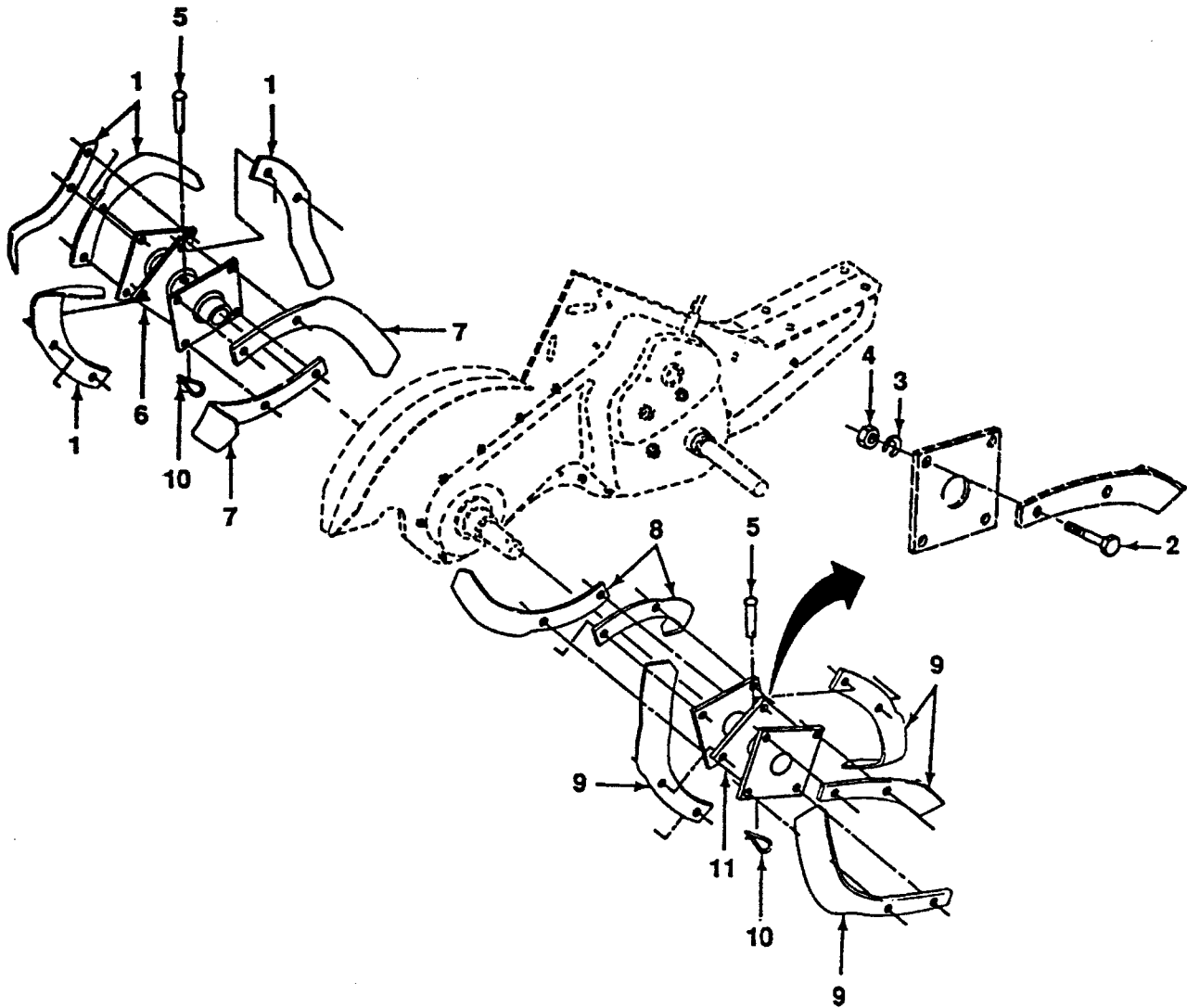
KEY NO.	PART NO.	DESCRIPTION
19	532102701	Grip
20	873220600	Nut, Hex 3/8-16
21	532102156	Stake, Depth
22	874930632	Bolt, Hex 3/8-16 x 2
23	532004440	Hinge
24	872140404	Bolt, Carriage 1/4-20 x 1/2 Gr. 5
25	532124717	Cap, Vinyl
26	532109227	Pad, Idler
27	532125016	Shield, Leveling
29	532120588	Pin, Hinge
30	532008392	Bracket, Latch
31	872110510	Bolt, Carriage 5/16-18 x 1-1/4
--	532124263	Decal, Tine Shield
--	532120076	Decal, Warning (Leveling Shield)

NOTE: All component dimensions given in U.S. inches.
1 inch = 25.4 mm

REPAIR PARTS

5 HP 17" CRT TILLER -- MODEL NUMBER CRT50

TINES



KEY PART NO.	PART NO.	DESCRIPTION
1	532004459	Tine, L. H. Outer
2	874610616	Bolt, Hex 3/8-24 x 1
3	810040600	Washer, Lock 3/8
4	873610600	Nut, Hex 3/8-24
5	532004929	Clevis Pin
6	532102380	Assembly, Hub and Plate, L. H.

KEY PART NO.	PART NO.	DESCRIPTION
7	532006554	Tine, L. H. Inner
8	532006555	Tine, R. H. Inner
9	532004460	Tine, R. H. Outer
10	532124660	Clip, Hairpin
11	532102382	Assembly, Hub and Plate, R. H.

NOTE: All component dimensions given in U.S. inches.
1 inch = 25.4 mm